

RoHS  
Compliant  
2002/95/EC

### SPECIFICATIONS

CURRENT RATING: 1A AC, DC

VOLTAGE RATING: 50V AC/ MAX.

OPERATING TEMP.: -25°C ~ +85°C

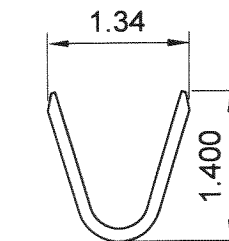
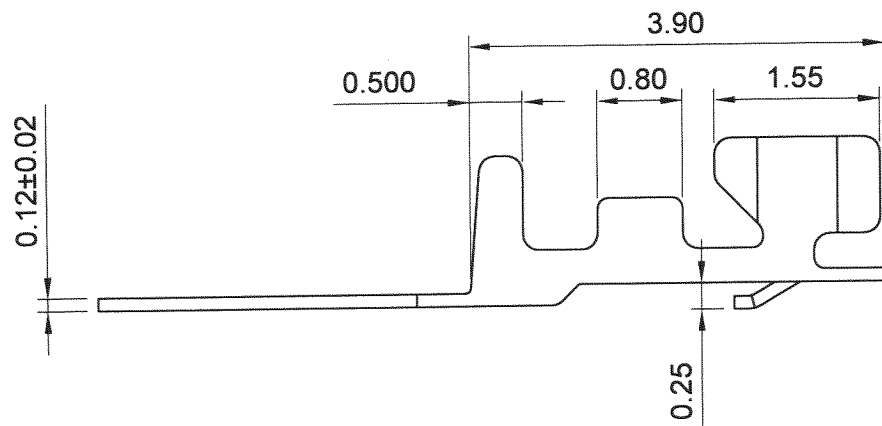
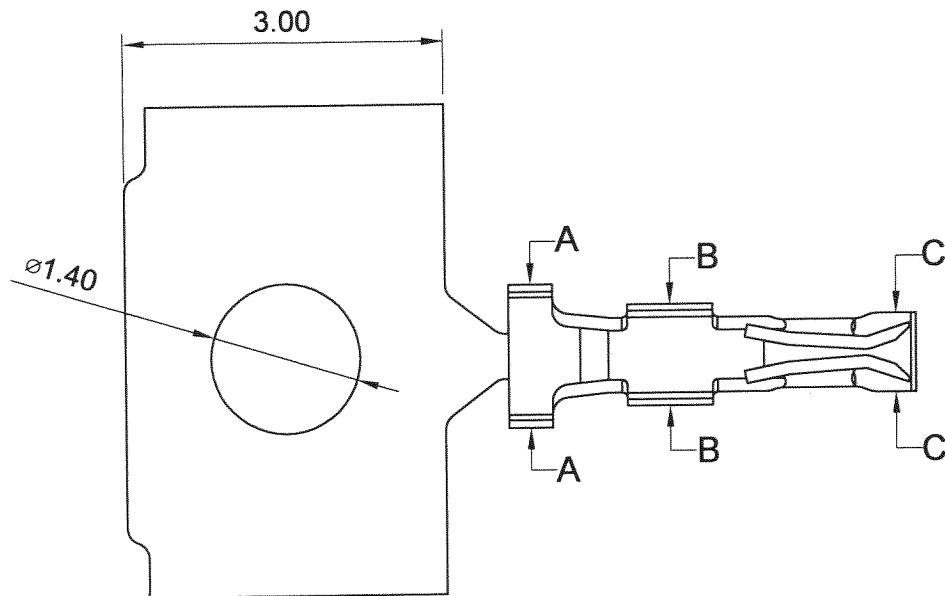
INSULATION RESISTANCE: 100 MΩ/ MIN.

DIELECTRIC WITHSTANDING VOLTAGE: 500V AC/ MIN.

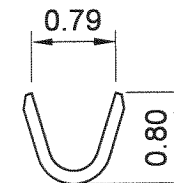
CONTACT RESISTANCE: 20 mΩ/ MAX.

TERMINAL MAETRIAL: PHOSPHOR BRONZE/ TIN-PLATED

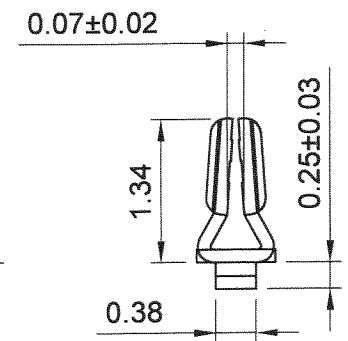
WIRE RANGE: 28 TO 32AWG



Section A-A



Section B-B



Section C-C

**JAWS** 兆旭股份有限公司  
JAWS CO., LTD.

7F-1, NO.31, Lane 169, Kang Ning Street,  
Hsichih, Taipei Hsien, Taiwan.  
TEL: 886-2-2692-2898  
FAX: 886-2-2692-2618  
Http://www.jaws.com.tw



THIRD ANGLE  
PROJECTION

DESIGN UNITS  
■ mm □ INCH

TITLE:

1.0mm WIRE-TO-BOARD TERMINAL

GENERAL TOLERANCES:

±0.15

DRAWN

游熾瑩

DATE 97/08/15

SIZE:

A4

SCALE:

FREE

SHEET:

1/1

PARTS NO.:

100E-T

CHECK

郭坤峰

DATE 97.8.18

CPN NO.:

DAN NO.: S9708-015

DWG NO.:

JAWS-SOP-100E005

REV.

01

APPROVE

陳世官

DATE 97.8.18